



SCAN HERE
to see additional
information and
product videos



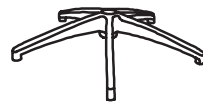
Tools Required

Allen key provided.
No additional tools required.

Parts Included



A x 5
Casters



B x 1
Base



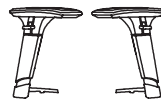
C x 1
Gaslift



D x 1
Seat Assembly



E x 1
Backrest



F x 2
Armrests



G x 1
Headrest



H x 3
M8 x 20 Back
Screws



J x 1
Icon Cover



L x 6
14.5 x 1.0
Flat Washer



I x 6
M6 x 30 Arm Screws



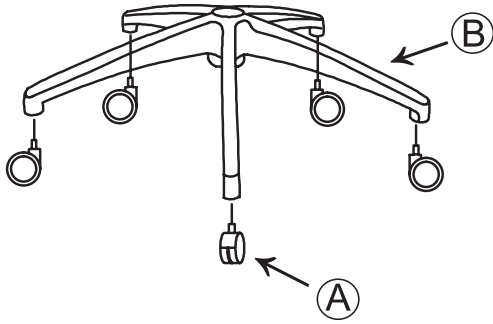
K x 3
18 x 2.0
Flat Washer



M x 1

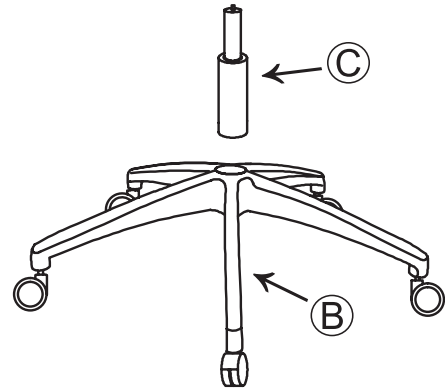
Step 1

Insert casters (A) into base (B).



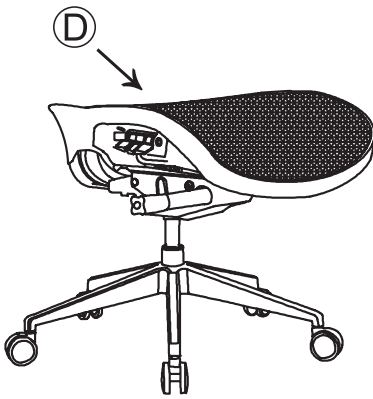
Step 2

Insert gaslift (C) into base (B).



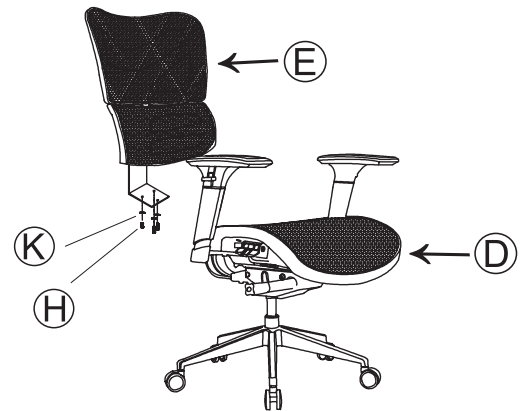
Step 3

Place seat assembly (D) on gaslift and base.



Step 4

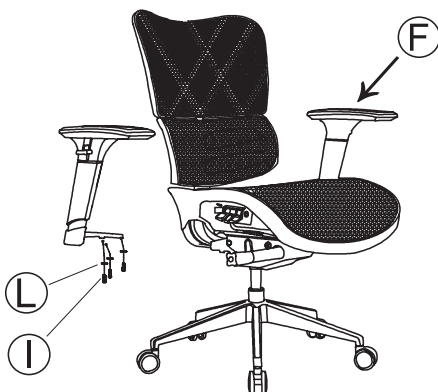
Install backrest (E) using 3 screws (H) with flat washers (K) with supplied T-handle wrench



Step 5

Install armrests (F) to the seat assembly using the (I) screws with flat washers (L) with supplied T-handle Wrench.

**The armrest are slotted allowing you to adjust the arms narrow or wider.*



Step 6

Install headrest (G) in the opening on top of the backrest, push headrest with the mesh part facing the front of the chair until it clicks. Install Icon logo (J).

